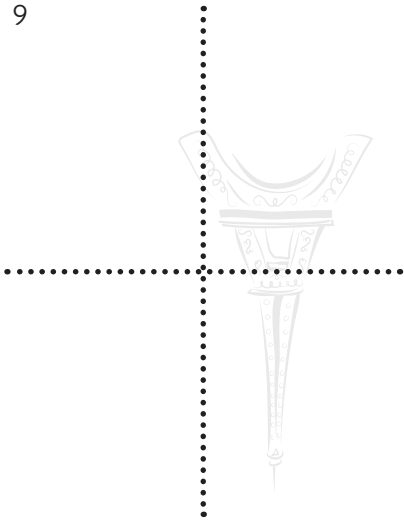


Cut out along solid line. →

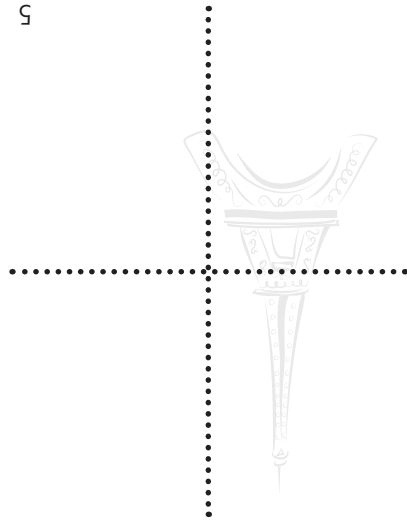
Fold along dashed lines.

9



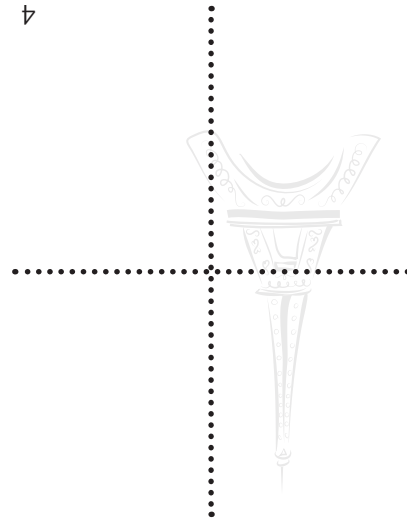
VISAS

5



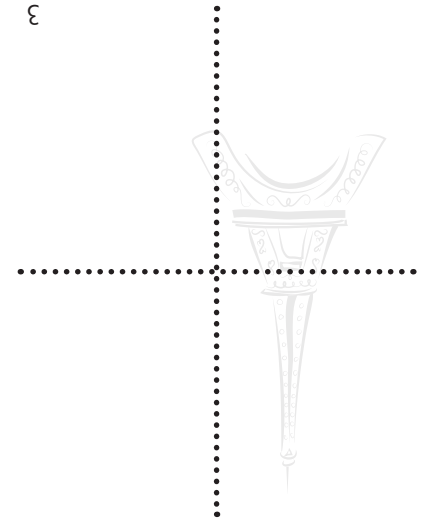
VISAS

4



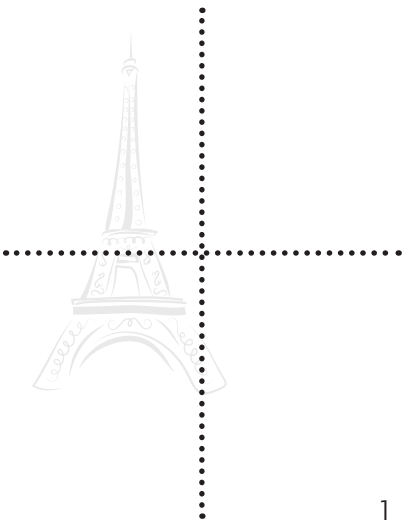
VISAS

3



VISAS

VISAS



1



PASSPORT

American Girl®

©/™ 2015 American Girl
XXXXX



Name:

Address:

Phone:

Date of Birth:
